

FORTENS™



**STRONG PARTNERS.
TOUGH TRUCKS.™**

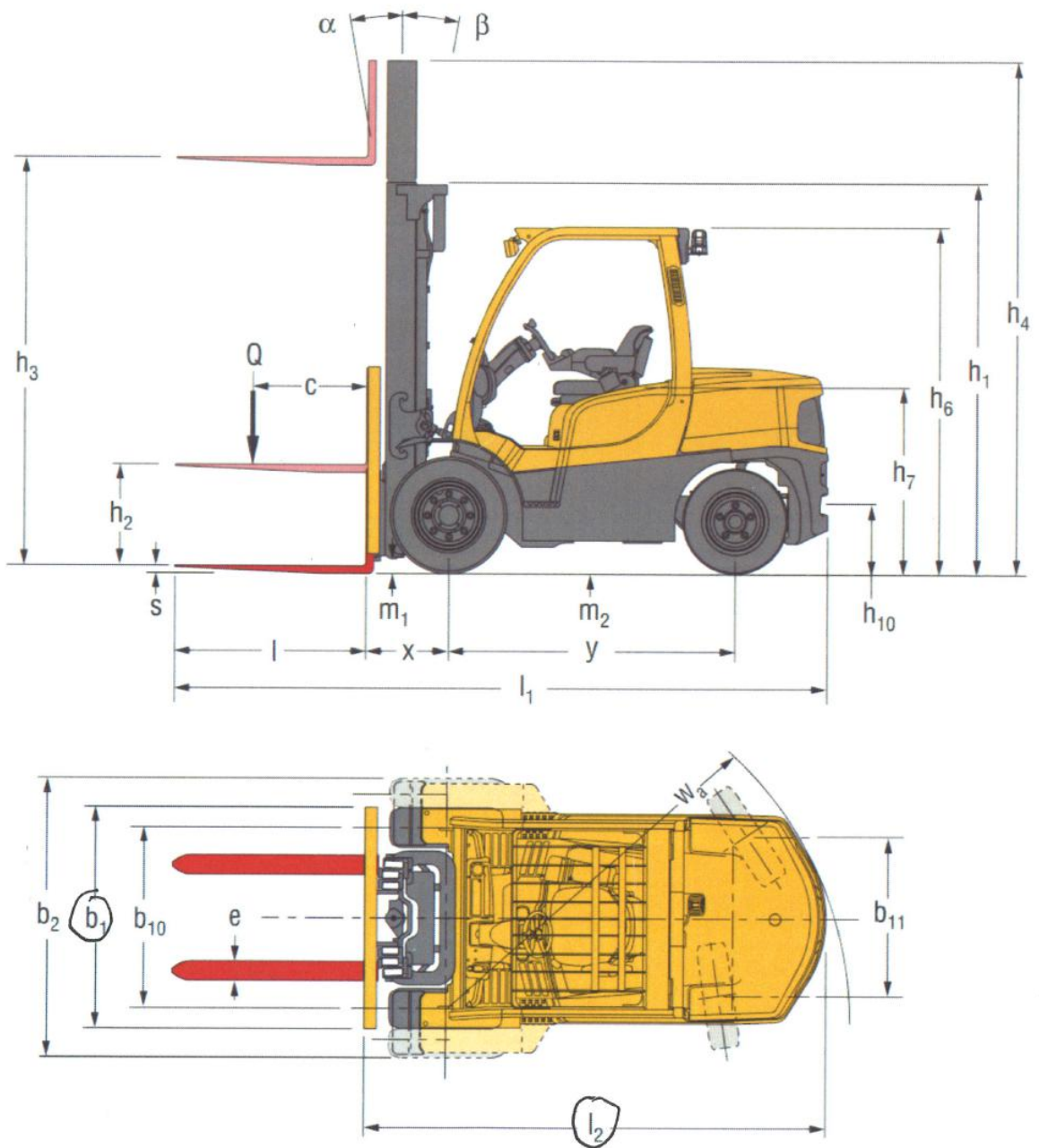


**H4.0-5.5FT SERIES
TECHNICAL GUIDE**



WWW.HYSTER.COM

> TRUCK DIMENSIONS



> MAST AND CAPACITY INFORMATION

H5.0FT RATED CAPACITY KG@ 600-700 MM LOAD CENTRE

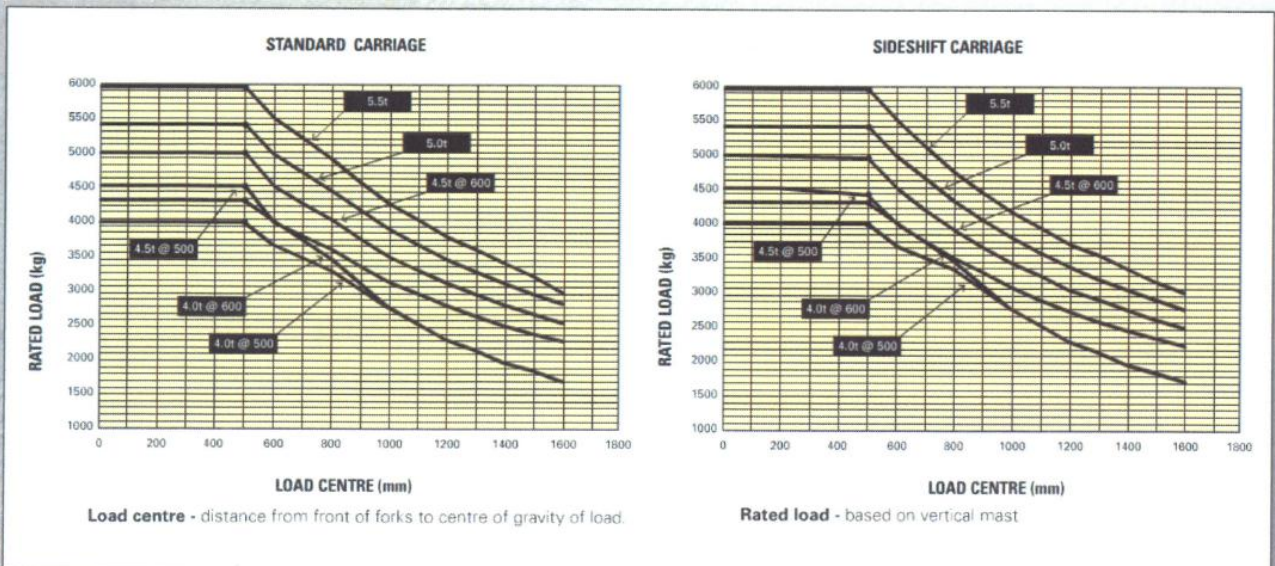
	Maximum fork height h ₃ + s (mm)	Mast tilt (°)		Lowered height h ₁ (mm)	Extended height h ₄ (mm)		Free lift height h ₂ + s (mm)	Superelastic tyres				Radial tyres			
		F	B		w/o LB	w LB		Without sideshift (kg)		With ISS (kg)		Without sideshift (kg)		With ISS (kg)	
								H5.0FT	H5.0FT	H5.0FT	H5.0FT	H5.0FT	H5.0FT		
2-STAGE LIMITED FREE LIFT	2800	6°	10°	2215	3730	4065	160	600 LC	700 LC	600 LC	700 LC	600 LC	700 LC	600 LC	700 LC
	3400	6°	10°	2515	4330	4665	160	5000	4810	5000	4670	5000	4810	5000	4670
	4000	6°	10°	2815	4930	5265	160	5000	4790	5000	4650	5000	4790	5000	4650
	4700	6°	6°	3265	5630	5965	160	5000	4780	5000	4640	5000	4780	5000	4640
	5300	6°	6°	3665	6230	6565	160	4740	4480	4700	4350	4730*	4470*	4700*	4340*
5900	6°	6°	4065	6830	7165	160	4570	4300	4520	4170	4570**	4300**	4510**	4170**	
2-STAGE FULL FREE LIFT	2825	6°	10°	2215	3810	4090	1230	5000	4770	5000	4640	5000	4770	5000	4640
	3425	6°	10°	2515	4410	4690	1530	5000	4760	5000	4620	5000	4760	5000	4620
3-STAGE FULL FREE LIFT	4145	6°	6°	2215	5130	5415	1230	5000	4740	4990	4610	5000	4740	4990	4610
	5000	6°	6°	2515	5985	6265	1530	4800	4530	4770	4410	4800*	4530*	4760*	4400*
	5300	6°	6°	2615	6285	6565	1630	4730	4450	4690	4330	4730**	4450**	4680**	4330**



H5.5FT RATED CAPACITY KG@ 600-700 MM LOAD CENTRE

	Maximum fork height h ₃ + s (mm)	Mast tilt (°)		Lowered height h ₁ (mm)	Extended height h ₄ (mm)		Free lift height h ₂ + s (mm)	Superelastic tyres				Radial tyres			
		F	B		w/o LB	w LB		Without sideshift (kg)		With ISS (kg)		Without sideshift (kg)		With ISS (kg)	
								H5.5FT	H5.5FT	H5.5FT	H5.5FT	H5.5FT	H5.5FT		
2-STAGE LIMITED FREE LIFT	2800	6°	10°	2215	3730	4065	160	5500	5280	5500	5130	5500	5280	5500	5130
	3400	6°	10°	2515	4330	4665	160	5500	5260	5500	5120	5500	5260	5500	5120
	4000	6°	10°	2815	4930	5265	160	5500	5250	5500	5100	5500	5250	5500	5100
	4700	6°	6°	3265	5630	5965	160	5380	5110	5370	4970	5380*	5110*	5370*	4960*
	5300	6°	6°	3665	6230	6565	160	5230	4940	5190	4800	5220*	4930*	5180*	4790*
5900	6°	6°	4065	6830	7165	160	5050	4750	5000	4620	5050**	4750**	4990**	4610**	
2-STAGE FULL FREE LIFT	2825	6°	10°	2215	3810	4090	1230	5500	5250	5500	5100	5500	5250	5500	5100
	3425	6°	10°	2515	4410	4690	1530	5500	5230	5500	5080	5500	5230	5500	5080
3-STAGE FULL FREE LIFT	4145	6°	6°	2215	5130	5415	1230	5500	5210	5490	5070	5500	5210	5490	5070
	5000	6°	6°	2515	5985	6265	1530	5290	5000	5260	4860	5290*	4990*	5260*	4860*
	5300	6°	6°	2615	6285	6565	1630	5210	4920	5170	4780	5210**	4910**	5170**	4780**

> RATED CAPACITIES



> H5.0FT / H5.5FT FORTENS ADVANCE



				HYSTER		HYSTER		HYSTER		HYSTER		
				H5.0FT		H5.0FT		H5.5FT		H5.5FT		
				Fortens Advance		Fortens Advance		Fortens Advance		Fortens Advance		
				Kubota 3.8L DuraMatch™ 1-speed		Kubota 3.8L DuraMatch™ 2 2-speed		Kubota 3.8L DuraMatch™ 1-speed		Kubota 3.8L DuraMatch™ 2 2-speed		
				Premium Oil Immersed Brakes		Premium Oil Immersed Brakes		Premium Oil Immersed Brakes		Premium Oil Immersed Brakes		
GENERAL	1-1	Manufacturer		HYSTER		HYSTER		HYSTER		HYSTER		
	1-2	Model designation		H5.0FT		H5.0FT		H5.5FT		H5.5FT		
		Model		Fortens Advance		Fortens Advance		Fortens Advance		Fortens Advance		
		Engine / transmission		Kubota 3.8L DuraMatch™ 1-speed		Kubota 3.8L DuraMatch™ 2 2-speed		Kubota 3.8L DuraMatch™ 1-speed		Kubota 3.8L DuraMatch™ 2 2-speed		
		Brake type		Premium Oil Immersed Brakes		Premium Oil Immersed Brakes		Premium Oil Immersed Brakes		Premium Oil Immersed Brakes		
	1-3	Drive		Diesel		Diesel		Diesel		Diesel		
	1-4	Operator type		Seated		Seated		Seated		Seated		
	1-5	Rated capacity/rated load	Q ₁	t	5.0		5.0		5.5		5.5	
	1-6	Load centre distance		c	mm	600		600		600		
	1-8	Load distance, centre of drive axle to fork		x	mm	591		591		591		
1-8-1	Load distance, centre of drive axle to fork (ISS Carriage)		x	mm	608		608		608			
1-9	Wheelbase		y	mm	2100		2100		2100			
WEIGHT	2-1	Service weight		kg		7520		7520		7811		
	2-2-1	Axle loading with load, front / rear		kg		11014	1478	11014	1478	11754	1558	
	2-3-1	Axle loading without load, front / rear		kg		3206	4314	3206	4314	3134	4677	
WHEELS	3-1	Tyre type		Superelastic		Superelastic		Superelastic		Superelastic		
	3-2	Tyre size, front		300x15		300x15		300x15		300x15		
	3-3	Tyre size, front		28x9-15		28x9-15		28x9-15		28x9-15		
	3-5	Wheels, number front / rear (x = driven wheels)		2x / 2		2x / 2		2x / 2		2x / 2		
	3-6	Tread, front	b ₁₀	mm	1150		1150		1150		1150	
	3-7	Tread, rear	b ₁₁	mm	1162		1162		1162		1162	
	4-1	Tilt of mast / fork carriage forward / backward		(°)		6 / 10		6 / 10		6 / 10		
DIMENSIONS	4-2	Height, mast lowered		h ₁	mm	2215		2215		2215		
	4-3	Free lift (1)		h ₂	mm	100		100		100		
	4-4	Lift (1)		h ₃	mm	2740		2740		2740		
	4-5	Height, mast extended (2)		h ₄	mm	3730		3730		3730		
	4-7	Height of overhead guard (cabin)		h ₆	mm	2300		2300		2300		
	4-8	Seat height relating to SIP (3)		h ₇	mm	429		429		429		
	4-12	Coupling height		h ₁₀	mm	4266		4266		4457		
	4-19	Overall length		l ₁	mm	4500		4500		4541		
	4-20	Length to face of forks (Standard Carriage)		l ₂	mm	3300		3300		3341		
	4-20-1	Length to face of forks (Integrated Side Shift Carriage)		l ₂	mm	3317		3317		3358		
	4-21	Overall width		b _{1,2}	mm	1450 / 1575 / 1875		1450 / 1575 / 1875		1450 / 1575 / 1875		
	4-22	Fork dimensions DIN ISO 2331		s/e/l	mm	60 x 150 x 1200		60 x 150 x 1200		60 x 150 x 1200		
	4-23	Fork carriage ISO 2328, class/type A, B			mm	IVA		IVA		IVA		
	4-24	Fork carriage width (Standard Carriage) (4)		b ₃	mm	1219		1219		1219		
	4-24	Fork carriage width (ISS Carriage) (4)		b ₃	mm	1219		1219		1372		
	4-31	Ground clearance, laden, below mast		m ₁	mm	151		151		194		
	4-32	Ground clearance, centre of wheelbase		m ₂	mm	194		194		237		
4-34-1	Aisle width for pallets 1000 x 1200 crossways (5)		A _{st}	mm	4868		4868		4906			
4-34-4	Aisle width for pallets 800 x 1200 crossways (5)		A _{st}	mm	4868		4868		4906			
4-35	Turning radius		W _a	mm	2877		2877		2915			
4-36	Internal turning radius		b ₁₃	mm	800		800		800			
PERFORMANCE	5-1	Travel speed with / without load		km/h	18.7	19.2	23.2	23.9	18.6	19.2	22.9	23.9
	5-1-1	Travel speed, laden/unladen, backwards		km/h	18.7	19.2	18.7	19.2	18.6	19.2	18.6	19.2
	5-2	Lifting speed with / without load		m/s	0.45	0.46	0.45	0.46	0.45	0.46	0.45	0.46
	5-3	Lowering speed with / without load		m/s	0.51	0.42	0.51	0.42	0.51	0.42	0.51	0.42
	5-5	Drawbar pull, laden/unladen (6)		N	27458	18399	32859	18399	27302	17976	32703	17976
	5-7	Gradeability - 1.6 km/h, with / without load (7)		%	23.3	26.5	28.3	26.5	21.7	24.8	26.3	24.8
	5-9	Acceleration time, laden/unladen		s	5.4	4.5	5.5	4.6	5.6	4.5	5.6	4.7
	5-10	Service brake			Hydraulic		Hydraulic		Hydraulic		Hydraulic	
	7-5	Fuel consumption according to VDI cycle		l/h	5.4		5.8		5.8		6.2	