

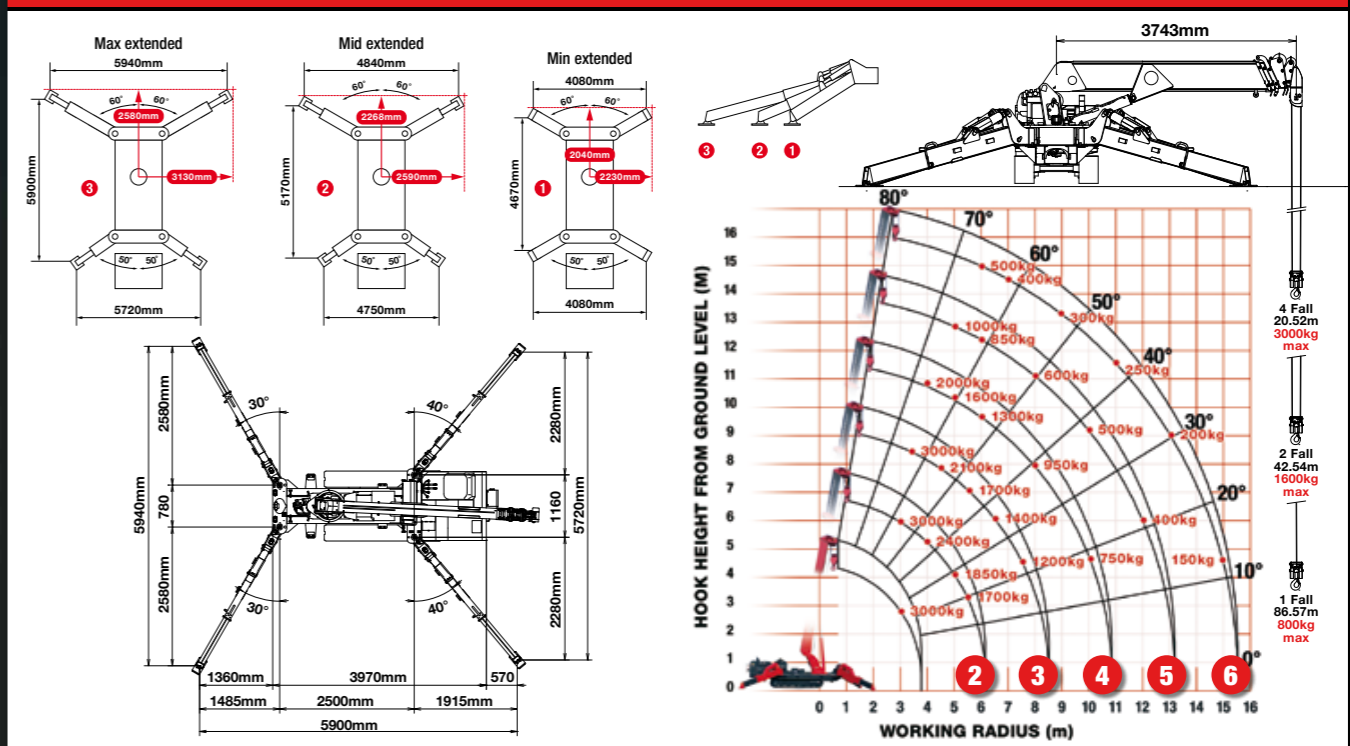
URW-506 (3.0t x 3.4m)

URW-506-1 (4.0t x 2.5m)

MINI SPIDER CRANE



RATED LOADS & OUTRIGGER POSITIONS



The URW-506 offers an optimal combination of working flexibility and heavy lifting power. This crane is capable of lifting 3 tonnes at 3.4m or up to 4 tonnes with an optional 5 fall hook block. As with all the UNIC spider crane models carrying a safe load indicator, the URW-506's working area limitation device allows the operator to pre-define the working area giving greater control and safety in sensitive areas. On approaching these limits, function speeds are reduced and an audible alarm is given before operation stops.

CRANE SPECIFICATIONS	
Crane capacity	capacity: 3.0t x 3.4m (506-1 4.0t x 2.5m with 5 fall hook block)
Max working radius	max: 15.52m
Max lifting height	approx: 16m (17.79m with fly jib, 18.46m with fixed hook)
Rope length	max: 20.52m (4 fall), 42.54m (2 fall), 86.57m (1 fall)
Dimensions	folded: 4870mm (l) x 1400mm (w) x 2035mm (h)
Weight	unladen: 4840kg (4990kg with electric option)
Point loadings	Due to the many variables involved, point loadings are only available on request
Hook speed	approx: 17m/min (with 4 layers and 4 falls)
Telescopic system	boom length: 3.93 - 15.71m telescoping speed: 11.78m/35 seconds boom type: 6 section hydraulically telescoping boom, hexagonal box construction
Derricking angle/speed	approx: 0 - 80° / 18.0 seconds
Slewing angle/speed	approx: 360° (continuous) 2.5min rpm
Traction system	drive: hydrostatic 2-speed, stepless forward and reverse travel speed: 0 - 3km/h gradability: 23° track ground length: 1750mm track ground pressure: 45.1kPa (0.46kg/cm²) track width: 300mm
Engine	manufacturer: Mitsubishi / Yanmar fuel: diesel (electric dual power option) maximum output: 18kW (24.5PS) / 2100min rpm starting method: electric tank capacity: 40 litres
Electric motor	power: 7.5kW voltage: 400v AC 50/60Hz
Standard equipment	computer controlled moment limiter (safe load indicator), radio remote control, overwinding alarm, computer controlled intelligent voice warning system, multi-function operation by radio remote control, intelligent throttle activation, automatic hook stow, overload warning alarms, overload warning lamps, working area limitation
Optional equipment	1 fall hook block, 2 fall hook block, 5 fall hook block (URW-506-1), mains electric dual power (400v), low marking tracks, slew limitation, searcher hook small 500kg, searcher hook 700kg, fly jib 700kg with single part line, radio remote control with feedback display, data logging

SECOND STAGE EXTENDED 3.93 - 6.33M BOOM LENGTH		3.0	3.4	4.0	4.5	5.0	5.5	6.0	
Working radius	m	up to 2.5	3.0	3.4	4.0	4.5	5.0	5.5	6.0
Outrigger	kg	3,000 (4,000)	3,000 (3,350)	3,000	2,400	2,100	1,850	1,700	1,550
	kg	3,000 (4,000)	3,000 (3,350)	3,000	2,400	2,100	1,850	1,700	1,400
	kg	3,000 (4,000)	3,000 (3,350)	3,000	2,400	2,000	1,650	1,350	1,100

* Loads shown in blue are applicable for the 5 fall hook block URW-506-1 only. All other loads shown in black apply to both the standard URW-506 and the URW-506-1.

THIRD STAGE EXTENDED 6.33 - 8.72M BOOM LENGTH		3.0	3.4	4.0	4.5	5.0	5.5	6.0	6.5	7.0	7.5	8.53
Working radius	m	up to 3.0	3.4	4.0	4.5	5.0	5.5	6.0	6.5	7.0	7.5	8.53
Outrigger	kg	3,000	3,000	2,400	2,100	1,850	1,700	1,550	1,400	1,300	1,200	1,000
	kg	3,000	3,000	2,400	2,100	1,850	1,700	1,400	1,200	1,050	850	620
	kg	3,000	3,000	2,400	2,000	1,650	1,350	1,100	900	750	600	450

FOURTH STAGE EXTENDED 8.72 - 11.05M BOOM LENGTH		4.0	4.5	5.0	5.5	6.0	7.0	8.0	9.0	10.0	10.86
Working radius	m	up to 4.0	4.5	5.0	5.5	6.0	7.0	8.0	9.0	10.0	10.86
Outrigger	kg	2,000	1,800	1,600	1,450	1,300	1,100	950	850	750	640
	kg	2,000	1,800	1,600	1,450	1,300	1,050	700	600	450	390
	kg	2,000	1,800	1,600	1,350	1,100	750	500	400	300	250

FIFTH STAGE EXTENDED 11.05 - 13.38M BOOM LENGTH		5.0	5.5	6.0	7.0	8.0	9.0	10.0	11.0	12.0	13.19
Working radius	m	up to 5.0	5.5	6.0	7.0	8.0	9.0	10.0 <td>11.0</td> <td>12.0</td> <td>13.19</td>	11.0	12.0	13.19
Outrigger	kg	1,000	920	850	700	600	550	500	450	400	350
	kg	1,000	920	850	700	600	520	450	390	300	250
	kg	1,000	920	850	700	500	400	300	250	200	170

SIXTH STAGE EXTENDED 13.38 - 15.71M BOOM LENGTH		7.0	8.0	9.0	10.0	11.0	12.0	13.0	14.0	15.52	
Working radius	m	up to 6.0	7.0	8.0	9.0	10.0	11.0	12.0	13.0	14.0	15.52
Outrigger	kg	500	400	350	300	250	250	200	200	150	150
	kg	500	400	350	300	250	250	200	200	150	150
	kg	500	400	350	300	250	230	200	170	150	100

