

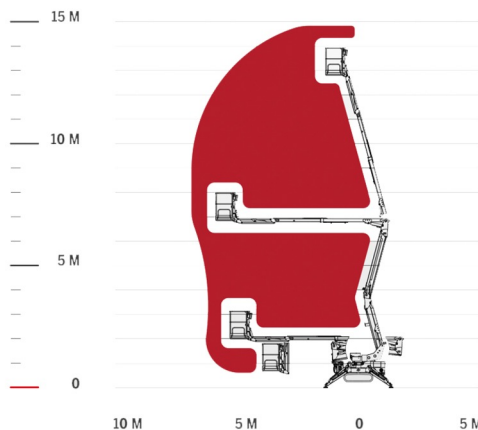


AERIAL WORK PLATFORM

CMC S15



Hydraulic platforms and scissor lifts

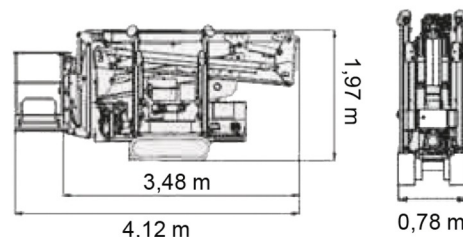


» CMC S15

Working height	14,90 m
Loading capacity	230 kg
Length	4,13 m
Width	0,77 m
Height	1,98 m
Weight	1960 kg

ACCESSORIES

- Operator - CAT 1
- Synthetic ramps



- 1 socket in working platform
- Diesel engine + electric engine
- Platform load indoors: 2 persons
- Platform load outdoors: 2 persons
- 4 Automatic Stabilisers

Non-marking tracks / Width cage included = 1,40 m

Consult our website www.dumarent.be for the technical data sheet

If you have any questions about this machine or any accessory, please call us at +32(0)56 222 111 or send us an email.

There will be a cleaning and environmental charge if the machine is returned dirty or full of mud.

* All prices are VAT excluded.
* A deposit may be requested.

duma rent
on different places !

Duma Rent bvba - Torkonjestraat 23, BE-8510 Marke
T +32(0)56 222 111 • Fax +32(0)56 716 141
info@dumarent.be • www.dumarent.be

Region West-Flanders
056 222 111

Region East-Flanders
09 228 28 22

Region Antwerp
03 887 87 81

Region Brussels
02 705 05 09

Region Charleroi
071 33 36 38