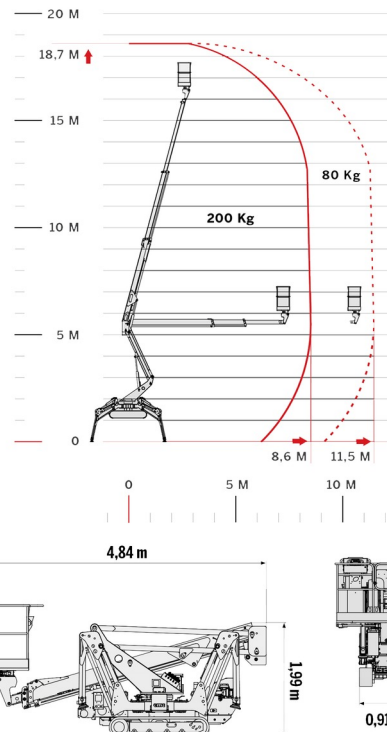


AERIAL WORK PLATFORM

CMC S19HD



Hydraulic platforms and scissor lifts



» CMC S19HD

| | |
|------------------|---------|
| Working height | 18,70 m |
| Loading capacity | 200 kg |
| Length | 4,84 m |
| Width | 0,91 m |
| Height | 1,99 m |
| Weight | 2700 kg |

ACCESSORIES

- Operator - CAT 1
- Synthetic ramps



- 4 Automatic Stabilisers
- 1 socket in working platform
- Radiographic remote control
- Platform load indoors: 2 persons
- Platform load outdoors: 2 persons
- Diesel engine + electric engine

Non-marking tracks / Width = 81 cm with turned cage / 3 different types of stamping

Consult our website www.dumarent.be for the technical data sheet

If you have any questions about this machine or any accessory, please call us at +32(0)56 222 111 or send us an email.

There will be a cleaning and environmental charge if the machine is returned dirty or full of mud.

* All prices are VAT excluded.
* A deposit may be requested.

duma rent
on different places !

Duma Rent bvba - Torkonjestraat 23, BE-8510 Marke
T +32(0)56 222 111 • Fax +32(0)56 716 141
info@dumarent.be • www.dumarent.be

Region West-Flanders
056 222 111

Region East-Flanders
09 228 28 22

Region Antwerp
03 887 87 81

Region Brussels
02 705 05 09

Region Charleroi
071 33 36 38