

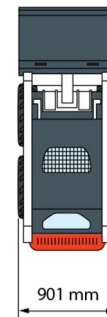
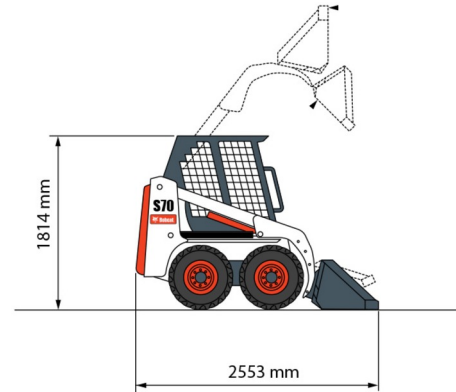


SKID STEER LOADER

BOBCAT S70



Construction and earthmoving machines



» BOBCAT S70

Tonnage	1.3 ton
Length	2,55 m
Width	0,90 m
Height	1,81 m
Weight	1268 kg

ACCESSORIES

- Pallet fork
- Fuel tank 1100 l with pump
- Fourche à fumier 90 cm
- Synthetic ramps
- Licence plate



Diesel engine

If you have any questions about this machine or any accessory, please call us at +32(0)56 222 111 or send us an email.

There will be a cleaning and environmental charge if the machine is returned dirty or full of mud.

- * All prices are VAT excluded.
- * A deposit may be requested.