

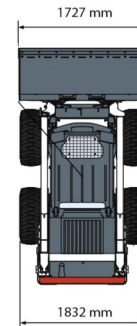
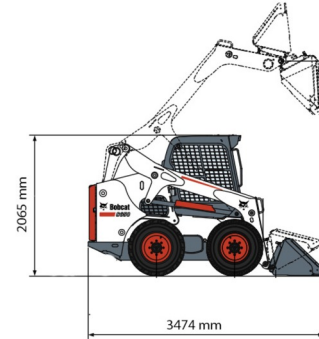


SKID STEER LOADER

BOBCAT S650



Construction and earthmoving machines



» BOBCAT S650

Tonnage	3.8 ton
Length	3,47 m
Width	1,83 m
Height	2,07 m
Weight	3777 kg

ACCESSORIES

- Ground driller Ø23, 30 or 38 cm
- Pallet fork
- Sweeper 154 - 168 cm
- Fuel tank 1100 l with pump
- Synthetic ramps
- Licence plate



Diesel engine



If you have any questions about this machine or any accessory, please call us at +32(0)56 222 111 or send us an email.

There will be a cleaning and environmental charge if the machine is returned dirty or full of mud.

- * All prices are VAT excluded.
- * A deposit may be requested.

duma rent
on different places !

Duma Rent bvba - Torkonjestraat 23, BE-8510 Marke
T +32(0)56 222 111 • Fax +32(0)56 716 141
info@dumarent.be • www.dumarent.be

Region West-Flanders
056 222 111

Region East-Flanders
09 228 28 22

Region Antwerp
03 887 87 81

Region Brussels
02 705 05 09

Region Charleroi
071 33 36 38