

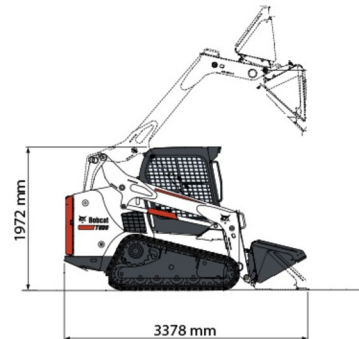
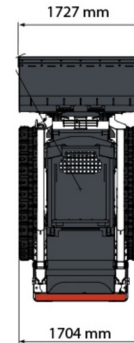


COMPACT TRACKED LOADER

# BOBCAT T590



Construction and earthmoving machines



» BOBCAT T590

Tonnage	3.5 ton
Length	3,38 m
Width	1,73 m
Height	1,97 m
Weight	3605 kg

ACCESSORIES

- Ground driller Ø23, 30 or 38 cm
- Pallet fork
- Sweeper 154 - 168 cm
- Fuel tank 1100 l with pump
- Synthetic ramps
- Licence plate



Diesel engine

If you have any questions about this machine or any accessory, please call us at +32(0)56 222 111 or send us an email.

There will be a cleaning and environmental charge if the machine is returned dirty or full of mud.

- \* All prices are VAT excluded.
- \* A deposit may be requested.