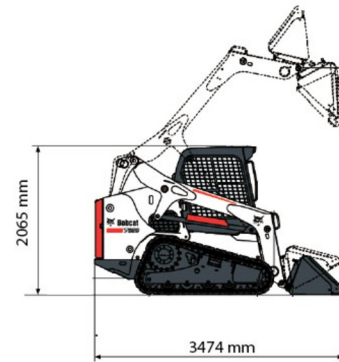
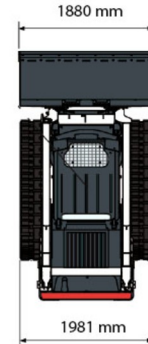




COMPACT TRACKED LOADER

BOBCAT T650

Construction and earthmoving machines



» BOBCAT T650

Tonnage	4.445 ton
Length	3,47 m
Width	1,98 m
Height	2,07 m
Weight	4445 kg

ACCESSORIES

- Ground driller Ø23, 30 or 38 cm
- Pallet fork
- Sweeper 154 - 168 cm
- Fuel tank 1100 l with pump
- Synthetic ramps
- Licence plate



Diesel engine



If you have any questions about this machine or any accessory, please call us at +32(0)56 222 111 or send us an email.

There will be a cleaning and environmental charge if the machine is returned dirty or full of mud.

- * All prices are VAT excluded.
- * A deposit may be requested.