

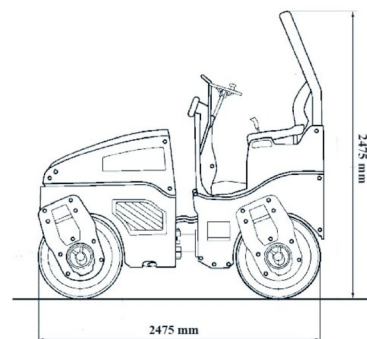
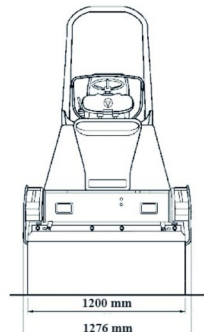


VIBRATION ROLLER

BOMAG
FAYAT GROUP

Construction and earthmoving machines

BOMAG BW 120 AD-5



» BOMAG BW 120 AD-5

Width	120,00 cm
Length	2,48 m
Width	1,28 m
Height	2,48 m
Weight	2840 kg

ACCESSORIES

- Fuel tank 1100 l with pump



Diesel engine



If you have any questions about this machine or any accessory, please call us at +32(0)56 222 111 or send us an email.

There will be a cleaning and environmental charge if the machine is returned dirty or full of mud.

- * All prices are VAT excluded.
- * A deposit may be requested.