

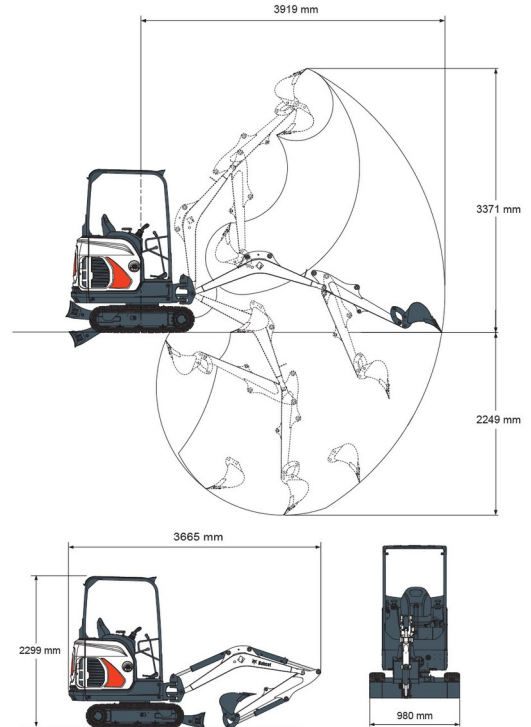


MINI EXCAVATOR CRAWLER

BOBCAT E17



Construction and earthmoving machines



» BOBCAT E17

Tonnage	1.8 ton
Length	3,66 m
Width	0,98 m
Height	2,30 m
Weight	1807 kg

ACCESSORIES

- Ground driller Ø23, 30 or 38 cm
- Fuel tank 1100 l with pump
- Hammer HB380 0 - 1,6 tons
- Synthetic ramps



Diesel engine

Undercarriage extendable to 1,10 m. Delivered with buckets: width 20 cm, 40 cm with teeth & 100 cm.

If you have any questions about this machine or any accessory, please call us at +32(0)56 222 111 or send us an email.

There will be a cleaning and environmental charge if the machine is returned dirty or full of mud.

- * All prices are VAT excluded.
- * A deposit may be requested.

duma rent
on different places !

Duma Rent bvba - Torkonjestraat 23, BE-8510 Marke
T +32(0)56 222 111 • Fax +32(0)56 716 141
info@dumarent.be • www.dumarent.be

Region West-Flanders 056 222 111	Region East-Flanders 09 228 28 22	Region Antwerp 03 887 87 81	Region Brussels 02 705 05 09	Region Charleroi 071 33 36 38
-------------------------------------	--------------------------------------	--------------------------------	---------------------------------	----------------------------------