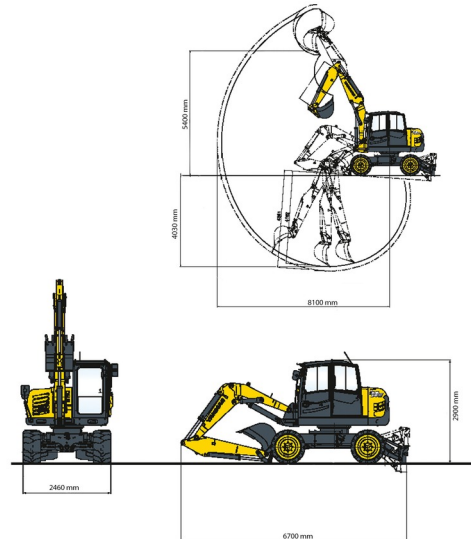




WHEEL EXCAVATOR

# YANMAR B95W

Construction and earthmoving machines



» YANMAR B95W

Tonnage	9.5 ton
Length	6,70 m
Width	2,46 m
Height	2,90 m
Weight	9500 kg

ACCESSORIES

- Hammer NPK PH3 (5,5 - 8 ton)
- Ground driller Ø23, 30 or 38 cm
- Fuel tank 1100 l with pump
- Clamshell bucket 14 - 25 tons
- Sorting grab 8 tons



Diesel engine

CW10/triple boom/banana bucket 0,4 m/digging bucket 0,6 m(teeth)/ditch bucket 1,6 m/option: long arm

If you have any questions about this machine or any accessory, please call us at +32(0)56 222 111 or send us an email.

There will be a cleaning and environmental charge if the machine is returned dirty or full of mud.

- \* All prices are VAT excluded.
- \* A deposit may be requested.

**duma rent**  
on different places !

Duma Rent bvba - Torkonjestraat 23, BE-8510 Marke  
T +32(0)56 222 111 • Fax +32(0)56 716 141  
info@dumarent.be • www.dumarent.be

Region West-Flanders  
**056 222 111**

Region East-Flanders  
**09 228 28 22**

Region Antwerp  
**03 887 87 81**

Region Brussels  
**02 705 05 09**

Region Charleroi  
**071 33 36 38**