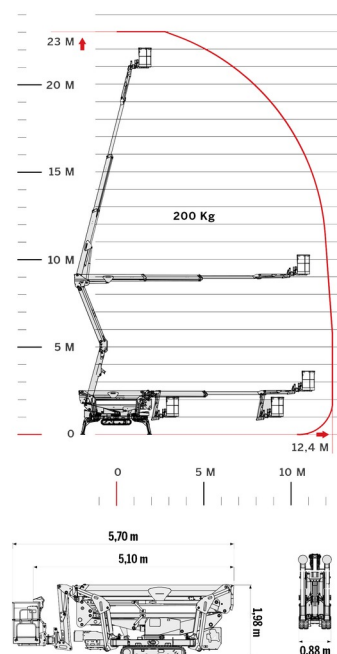


AERIAL WORK PLATFORM

# CMC S23



Hydraulic platforms and scissor lifts



» CMC S23

Working height	23,00 m
Loading capacity	200 kg
Length	5,70 m
Width	0,88 m
Height	1,98 m
Weight	2984 kg

ACCESSORIES

- Operator - CAT 1
- Synthetic ramps

- 1 socket in working platform
- Radiographic remote control
- Platform load indoors: 2 persons
- Platform load outdoors: 2 persons
- Diesel engine + electric engine
- 4 Automatic Stabilisers

Non-marking / detachable cage / cage rotation 90° left + 90° right / variable stamping

Consult our website [www.dumarent.be](http://www.dumarent.be) for the technical data sheet

If you have any questions about this machine or any accessory, please call us at +32(0)56 222 111 or send us an email.

There will be a cleaning and environmental charge if the machine is returned dirty or full of mud.

- \* All prices are VAT excluded.
- \* A deposit may be requested.

**duma rent**  
on different places !

Duma Rent bvba - Torkonjestraat 23, BE-8510 Marke  
T +32(0)56 222 111 • Fax +32(0)56 716 141  
info@dumarent.be • www.dumarent.be

Region West-Flanders  
**056 222 111**

Region East-Flanders  
**09 228 28 22**

Region Antwerp  
**03 887 87 81**

Region Brussels  
**02 705 05 09**

Region Charleroi  
**071 33 36 38**