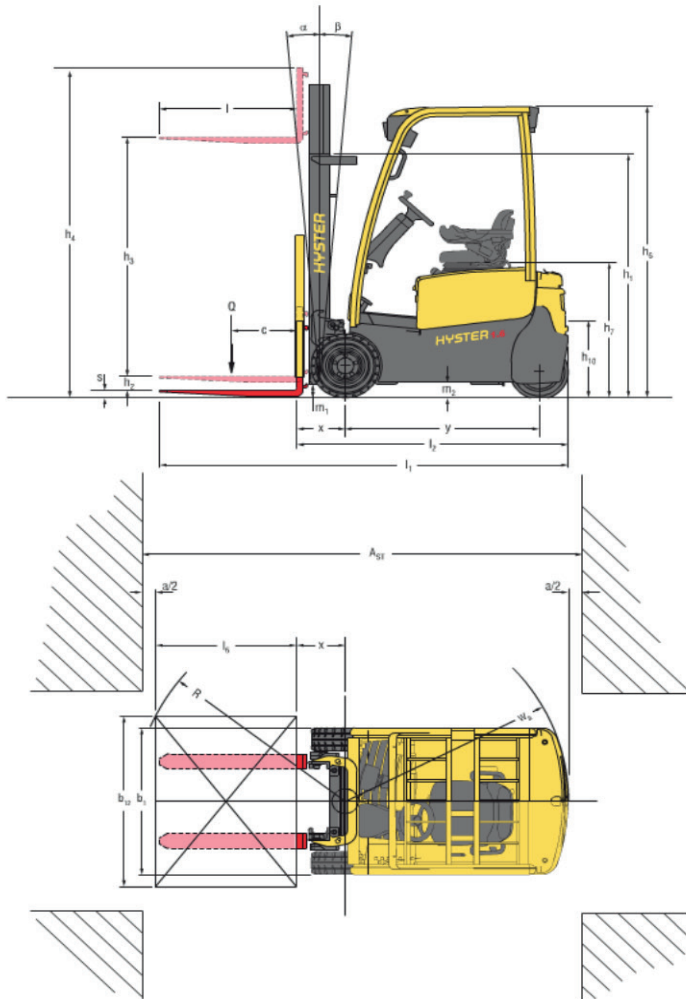




		HYSTER				
DISTINGUISHING MARKS	1.1	Manufacturer (abbreviation)	HYSTER			
	1.2	Manufacturer's type designation	J1.8XNT (LWB)			
	1.3	Drive: electric (battery or mains), diesel, petrol, fuel gas	Electric (Battery)			
	1.4	Operator type: hand, pedestrian, standing, seated, order-picker	Seated			
	1.5	Rated capacity/rated load	Q (t)	1.8		
	1.6	Load centre distance	c (mm)	500		
	1.8	Load distance, centre of drive axle to fork	x (mm)	321		
	1.9	Wheelbase	y (mm)	1494		
	WEIGHTS	2.1	Service weight <input type="checkbox"/>	kg	3331	
2.2		Axle loading, laden front/rear <input type="checkbox"/>	kg	4435	695	
2.3		Axle loading, unladen front/rear <input type="checkbox"/>	kg	1646	1685	
TYRES / CHASSIS	3.1	Tyres: P=pneumatic, C=cushion, SE=superelastic	PSS			
	3.2	Tyre size, front	200/50-10			
	3.3	Tyre size, rear	15 x 4.5-8			
	3.5	Wheels, number front/rear (x = driven wheels)	2X	2		
	3.6	Tread, front	b ₁₀ (mm)	908		
	3.7	Tread, rear	b ₁₁ (mm)	194		
	DIMENSIONS	4.1	Tilt of mast/fork carriage forward/backward	α / β (°)	5	5
4.2		Height, mast lowered	h ₁ (mm)	2180		
4.3		Free lift \uparrow	h ₂ (mm)	100		
4.4		Lift \uparrow	h ₂ (mm)	3390		
4.5		Height, mast extended \uparrow	h ₄ (mm)	4006		
4.7		Height of overhead guard (cabin) \blacksquare	h ₃ (mm)	2070		
4.7.1		Cab height (open cab)		2085		
4.8		Seat height relating to SIP/stand height \odot	h ₅ (mm)	919		
4.12		Coupling height	h ₁₀ (mm)	500		
4.19		Overall length	l ₁ (mm)	3006		
4.20		Length to face of forks	l ₂ (mm)	2006		
4.21		Overall width \diamond	b ₁ /b ₂ (mm)	1116		
4.22		Fork dimensions ISO 2331	s/e/l (mm)	40	80	1000
4.23		Fork carriage ISO 2328, class/type A, B		2A		
4.24		Fork carriage width \uparrow	b ₃ (mm)	977		
4.31		Ground clearance, laden, below mast	m ₁ (mm)	70		
4.32		Ground clearance at centre of wheelbase \diamond	m ₂ (mm)	100		
4.33		Load dimension b ₁₂ x l ₆ crossways	b ₁₂ x l ₆ (mm)	1000 x 1200		
4.34		Aisle width predetermined load dimensions	A ₁₂ (mm)	3336		
4.34.1		Aisle width for pallets 1000 x 1200 crossways \blacklozenge	A ₁₂ (mm)	3336		
4.34.2		Aisle width for pallets 800 x 1200 lengthways \blacklozenge	A ₁₂ (mm)	3458		
4.35	Turning radius	W ₂ (mm)	1685			
4.36	Internal turning radius	b ₁₃ (mm)	0			
4.41	90° intersecting aisle (With pallet W = 1200mm, L = 1000mm)	(mm)	1820			
4.42	Step Height (from ground to running board)	(mm)	557			
4.43	Step Height	(mm)	484			
PERFORMANCE DATA	5.1	Travel speed, laden/unladen \triangle	km/h	16	16	
	5.1.1	Travel speed, laden/unladen, backwards	km/h	16	16	
	5.2	Lift speed, laden/unladen	m/s	0.41	0.60	
	5.3	Lowering speed, laden/unladen	m/s	0.46	0.40	
	5.5	Drawbar pull, laden/unladen **	N	3337	3646	
	5.6	Max. drawbar pull, laden/unladen ***	N	11346	11655	
	5.7	Gradeability, laden/unladen \dagger ****	%	10	15	
	5.8	Max. gradeability, laden/unladen \dagger ***	%	23	36	
	5.9	Acceleration time, laden/unladen \triangle	s	4.6	4.1	
	5.10	Service brake		Electric		
ELECTRIC ENGINE	6.1	Drive motor rating S2 60 min	kW	2x 5.0		
	6.2	Lift motor rating at S3 15%	kW	12		
	6.3	Battery according to DIN 43531/35/36 A, B, C, no		DIN 43531-A		
	6.4	Battery voltage/nominal capacity K5	(V)/(Ah)	48	750	
	6.5	Battery weight \blacktriangle	kg	962	1064	
	6.6	Energy consumption according to VDI cycle \triangle	kWh/h @Nr of Cycles	4.7		
ADDITIONAL DATA	8.1	Type of drive unit		Electric transmission		
	10.1	Operating pressure for attachments	bar	180		
	10.2	Oil volume for attachments \diamond	l/min	40		
	10.3	Hydraulic oil tank, capacity	l	16.8		
	10.7	Sound pressure level at the driver's seat l _{pa2} $\opl�$	dB(A)	69		
	10.8	Towing coupling, type DIN		Pin		



TRUCK DIMENSIONS



⊙ = Centre of gravity of unladen truck
Ast = $W_a + R + a$ (see lines 4.34.1 & 4.34.2)

$$R = \sqrt{(l_6 + x)^2 + \left(\frac{b_{12} - b_{13}}{2}\right)^2}$$

a = Minimum operating clearance
(VDI standard = 200 mm
BITA recommendation = 300 mm)
l₆ = Load length

NOTE:

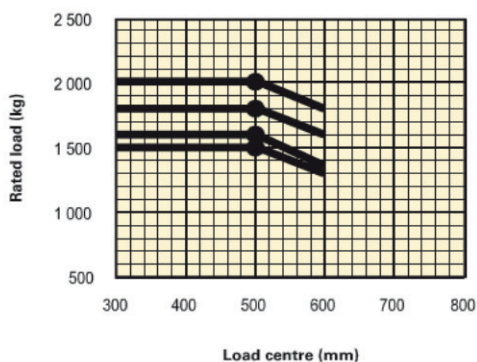
Specifications are affected by the condition of the vehicle and how it is equipped, as well as the nature and condition of the operating area. Inform your dealer of the nature and condition of the intended operating area when purchasing your Hyster Truck.

- Max. battery
- ¶ Bottom of forks
- Full suspension seat specified. Standard Hood specified. 953mm with raised hood."
- + Without load backrest
- add 32mm with load backrest
- h₆ subject to +/- 5 mm tolerance
- ◇ maximum flow set through dash display.
- △ HiP performance
- ▲ min/max
- ❖ Overall width 1116 mm with required 200/50-10 tyres fitted for masts 5000mm and over.
- ❖ Value shown for vertical battery removal; horizontal battery removal has 90 mm of clearance at center of wheelbase.
- ◆ Stacking aisle width (lines 4.34.1 & 4.34.2) is based on the VDI standard calculation as shown on illustration. The British Industrial Truck Association recommends the addition of 100 mm to the total clearance (dimension a) for extra operating margin at the rear of the truck.
- † Gradeability figures (lines 5.7 & 5.8) are provided for comparison of tractive performance, but are not intended to endorse the operation of the vehicle on the stated inclines. Follow instructions in the operating manual regarding operation on inclines.
- ⊙ LPAZ, measured according to the test cycles and based on the weighting values contained in EN12053

MAST TABLES KEY:

- ★ Add 721mm with load backrest extension
- ▲ Deduct 723mm with load backrest extension.
- * Add 723mm with load backrest extension.
- ✱ Add 656mm with load backrest extension.
- ✚ Add 655mm with load backrest extension
- Deduct 655mm with load backrest extension.
- ◆ Tilt speed reduced to 1° per second by mechanical tilt speed restrictors for mast heights 5000mm and above.

RATED CAPACITIES



Load centre
Distance from front forks to centre of gravity of load.

Rated load
Based on vertical masts up to 3 430mm to top of forks.

NOTICE

Care must be exercised when handling elevated loads. When the carriage and/or load is elevated, truck stability is reduced. It is important that mast tilt in either direction be kept to a minimum when loads are elevated

Operators must be trained and must read, understand and follow the instructions contained in the Operating Manual.

All values are nominal values and they are subject to tolerances. For further information, please contact the manufacturer.

Hyster products might be subject to change without notice.

Lift trucks illustrated may feature optional equipment. Values may vary with alternative configurations.

CE Safety:

This truck conforms to the current EU requirements.



MAST AND CAPACITY INFORMATION

VISTA MASTS J1.5-2.0XNT

	Maximum Fork Height (mm) (h ₂ + s)	Back Tilt (°)	Overall Lowered Height (mm)	Overall Extended Height (mm)	Free lift (top of forks) (mm) (h ₂ + s)
Vista 2-Stage limited free lift	3432	5°	2180	4006 *	140
	3932	5°	2530	4506 *	140
	4432	5°	2780	5006 *	140
	4932	5°	3130	5506 *	140
Vista 2-Stage full free lift	3218	5°	2080	3728 ♣	1505 ♣
	3718	5°	2330	4228 ♣	1755 ♣
	4338	5°	2680	4847 ♣	2105 ♣
Vista 3-Stage limited free lift	4600	5°	2030	5175 ♣	1455 ♣
	4900	5°	2130	5375 ♣	1555 ♣
	5200 ♣	5°	2280	5775 ♣	1705 ♣
	5500 ♣	5°	2380	6075 ♣	1805 ♣

♣ Tilt speed reduced to 1° per second by mechanical tilt speed restrictors for mast heights 5000mm and above.

J1.5-2.0XNT - Vista capacity chart in kg @ 500 mm load centres

	Max fork height (mm)	Pneumatic Shaped Solid Tyres															
		WITHOUT sideshift								WITH integral sideshift							
		J1.5XNT (SWB)	J1.6XNT (SWB)	J1.6XNT (MWB)	J1.6XNT (LWB)	J1.8XNT (MWB)	J1.8XNT (LWB)	J2.0XNT (MWB)	J2.0XNT (LWB)	J1.5XNT (SWB)	J1.6XNT (SWB)	J1.6XNT (MWB)	J1.6XNT (LWB)	J1.8XNT (MWB)	J1.8XNT (LWB)	J2.0XNT (MWB)	J2.0XNT (LWB)
Vista 2-Stage limited free lift	3432	-	1 600	1 600	1 600	1 800	1 800	2 000	2 000	-	1 600	1 600	1 600	1 800	1 800	1 990	1 990
	3932	-	1 600	1 600	1 600	1 800	1 800	2 000	2 000	-	1 600	1 600	1 600	1 800	1 800	1 980	1 980
	4432	-	1 580	1 580	1 580	1 780	1 780	1 980	1 980	-	1 580	1 580	1 580	1 780	1 780	1 950	1 950
	4932	-	1 490	1 490	1 500	1 580	1 580	1 570	1 560	-	1 490	1 490	1 500	1 540	1 540	1 520	1 520
Vista 2-Stage full free lift	3218	1 500	1 600	1 600	1 600	1 800	1 800	2 000	2 000	1 500	1 600	1 600	1 600	1 800	1 800	2 000	2 000
	3718	1 500	1 600	1 600	1 600	1 800	1 800	2 000	2 000	1 500	1 600	1 600	1 600	1 800	1 800	1 990	1 990
	4338	1 500	1 600	1 600	1 600	1 800	1 800	2 000	2 000	1 500	1 580	1 600	1 600	1 800	1 800	1 960	1 980
Vista 3-Stage full free lift	4600	-	1 570	1 570	1 570	1 770	1 770	1 970	1 970	-	1 550	1 570	1 570	1 770	1 770	1 930	1 950
	4900	-	1 520	1 520	1 520	1 710	1 710	1 780	1 910	-	1 510	1 520	1 520	1 710	1 710	1 720	1 880
	5200 ♣	-	1 380	1 260	1 280	1 650	1 650	1 490	1 670	-	1 320	1 200	1 210	1 650	1 650	1 440	1 600
	5500 ♣	-	1 090	1 000	1 030	1 590	1 440	1 250	1 420	-	1 030	950	970	1 550	1 370	1 200	1 360

J1.5-2.0XNT - Vista capacity chart in kg @ 600 mm load centres

	Max fork height (mm)	Pneumatic Shaped Solid Tyres															
		WITHOUT sideshift								WITH integral sideshift							
		J1.5XNT (SWB)	J1.6XNT (SWB)	J1.6XNT (MWB)	J1.6XNT (LWB)	J1.8XNT (MWB)	J1.8XNT (LWB)	J2.0XNT (MWB)	J2.0XNT (LWB)	J1.5XNT (SWB)	J1.6XNT (SWB)	J1.6XNT (MWB)	J1.6XNT (LWB)	J1.8XNT (MWB)	J1.8XNT (LWB)	J2.0XNT (MWB)	J2.0XNT (LWB)
Vista 2-Stage limited free lift	3432	-	1 450	1 450	1 450	1 600	1 600	1 800	1 800	-	1 450	1 450	1 450	1 600	1 600	1 780	1 780
	3932	-	1 450	1 450	1 450	1 600	1 600	1 800	1 800	-	1 450	1 450	1 450	1 600	1 600	1 780	1 770
	4432	-	1 430	1 430	1 430	1 580	1 580	1 780	1 780	-	1 430	1 430	1 430	1 580	1 580	1 760	1 760
	4932	-	1 350	1 350	1 360	1 500	1 500	1 570	1 560	-	1 340	1 340	1 350	1 500	1 500	1 520	1 520
Vista 2-Stage full free lift	3218	1 300	1 450	1 450	1 450	1 600	1 600	1 800	1 800	1 300	1 450	1 450	1 450	1 600	1 600	1 790	1 790
	3718	1 300	1 450	1 450	1 450	1 600	1 600	1 800	1 800	1 300	1 450	1 450	1 450	1 600	1 600	1 790	1 780
	4338	1 300	1 450	1 450	1 450	1 600	1 600	1 800	1 800	1 300	1 440	1 450	1 450	1 600	1 600	1 780	1 770
Vista 3-Stage full free lift	4600	-	1 450	1 450	1 450	1 600	1 600	1 800	1 800	-	1 420	1 420	1 420	1 570	1 570	1 750	1 740
	4900	-	1 420	1 420	1 420	1 570	1 570	1 770	1 770	-	1 420	1 420	1 420	1 570	1 570	1 750	1 740
	5200 ♣	-	1 370	1 370	1 380	1 520	1 520	1 720	1 710	-	1 370	1 370	1 370	1 520	1 520	1 700	1 690
	5500 ♣	-	1 320	1 260	1 280	1 470	1 470	1 490	1 660	-	1 310	1 200	1 210	1 470	1 470	1 440	1 590

NOTE: The rated capacities shown are for masts in a vertical position on trucks equipped with standard or sideshift carriage and nominal length forks. Masts above the maximum fork heights shown in the mast table are classified as high lift and, depending on the tyre/tread configuration may require reduced capacity, restricted back tilt or wide tread.