

**MT 733 EASY**

Created on November 20, 2019 at 12:05:30 PM UTC

---

Technical sheet :

# MT 733 EASY

---

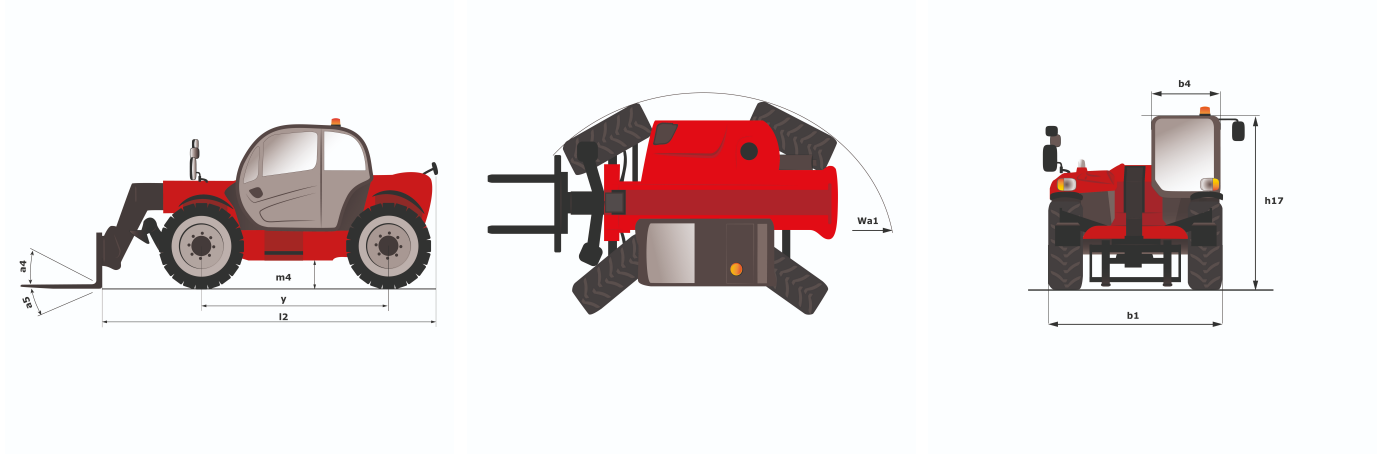




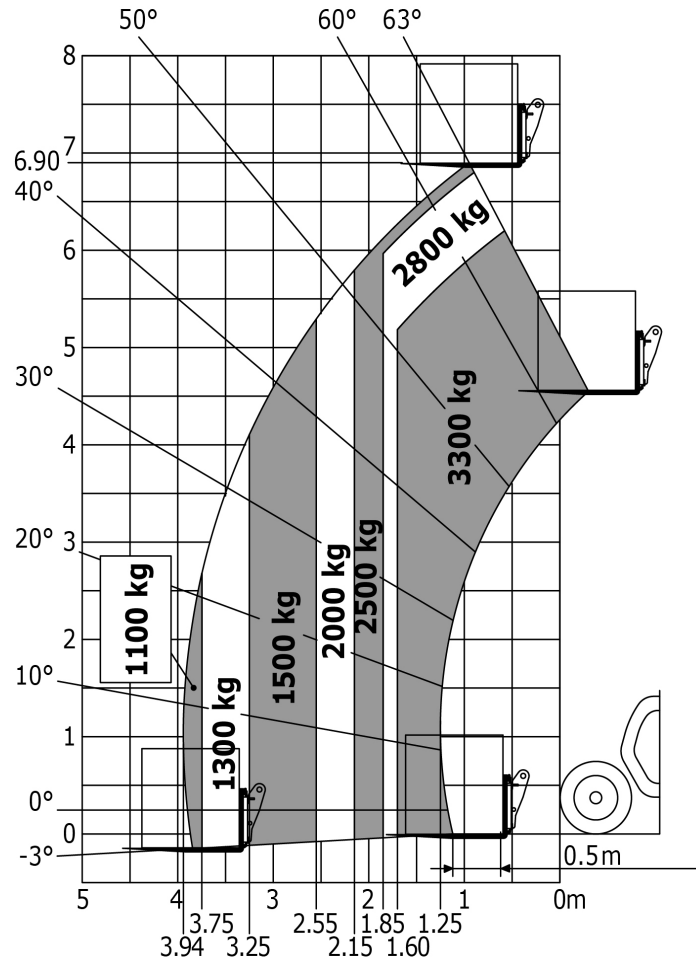
MT 733 Easy - Created on November 20, 2019 at 12:05:30 PM UTC

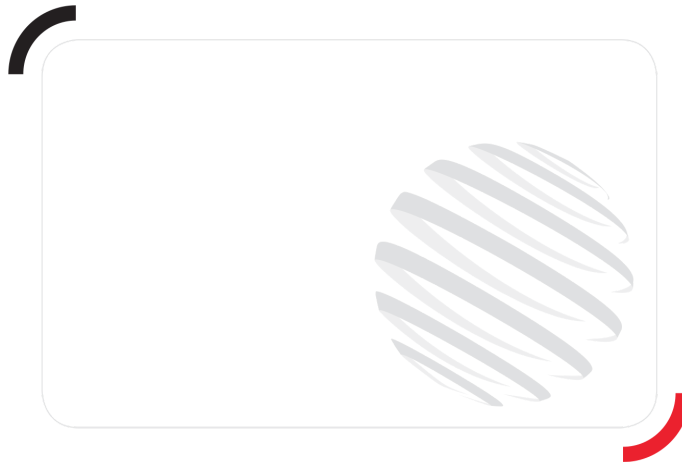
Capacities		Metric
Max. capacity	Q	3300 kg
Max. lifting height	h3	6.9 m
Max. Reach	l4	3.9 m
Breakout force with bucket (daN)		5770
Weight and dimensions		
Overall length to carriage	l2	4.74 m
Overall length (with forks)	l1	4.74 m
Overall width	b1	2.33 m
Overall height	h17	2.3 m
Wheelbase	y	2.81 mm
Ground clearance	m4	0.45 m
Overall cab width	b4	0.89 m
Outer turning radius	Wa3	3.8 m
External turning radius (over tyres)	Wa1	3.8 m
Unladen weight (with forks)		6700 kg
Tyres type		Inflatable
Standard tyres		Alliance 400/80 - 24 - 162A8
Forks length / width / section	l / e / s	1200 mm x 125 mm x 45 mm
Performances		
Lifting		8.3 s
Lowering		6 s
Extension		7.3 s
Retraction		4.5 s
Scoop		3.4 s
Crowd		3.4 s
Dump		2.8 s
Engine		
Engine brand		Deutz
Engine norm		Stage 5 / Tier IV Final
Engine model		TD 3.6 L
Number of cylinders / Capacity of cylinders		4 - 3621 cm <sup>3</sup>
I.C. Engine power rating (hp) - Power (kW)		75 / 55.4 kW
Max. torque / Engine rotation (rpm)		340 @ 1600
Drawbar pull (Laden)		8360
Transmission		
Transmission type		Torque Converter
Number of gears (forward / reverse)		4 / 4
Max. travel speed (may vary according to applicable regulations)		25 km/h
Parking brake		Manual
Service brake		Oil-immersed multi-discs braking on front & rear axles
Axle Manufacturer		Dana
Hydraulics		
Pump Type		Gear pump
Hydraulic flow / Pressure		92.7 / 260 Bar
Tank capacities		
Engine oil		10 l
Hydraulic oil		128 l
Fuel tank		120 l
Noise and vibration		
Noise at driving position (LpA)		79 dB(A)
Noise to environment (LwA)		104 dB(A)
Vibration on hands/arms		2.5 Nm
Miscellaneous		
Steering wheels (front / rear)		2 / 2
Drive wheels (front / rear)		2 / 2
Safety / cabin homologation		[Standard EN 1500] / Cab ROPS - FOPS Level 2
Controls		JSM

## Dimensional drawing



## Load chart





 **MANITOU**  
**HANDLING YOUR WORLD**

Siège Social  
430 rue de l'Aubinière - 44150 Ancenis Cedex - France  
Tel: +33(0)2 40 09 10 11 - Fax: +33 (0)2 40 09 10 97  
[www.manitou.com](http://www.manitou.com)



This brochure describes versions and configuration options for Manitou products which may be fitted with different equipment. The equipment described in this brochure may be standard, optional or not available depending on version. Manitou reserves the right to change the specifications shown and described at any time and without prior warning. The manufacturer is not liable for the specifications given. For more information, contact your Manitou dealer. Non-contractual document. Product descriptions may differ from actual products. List of specifications is not comprehensive. The logos and visual identity of the company are the property of Manitou and may not be used without authorisation. All rights reserved. The photos and diagrams contained in this brochure are provided for information only.

MANITOU BF SA - Limited company with board of directors - Share capital: 39,547,824 euros - 857 802 508  
RCS Nantes